

INSPECTION DIMENSION  
DRAWING REVISION

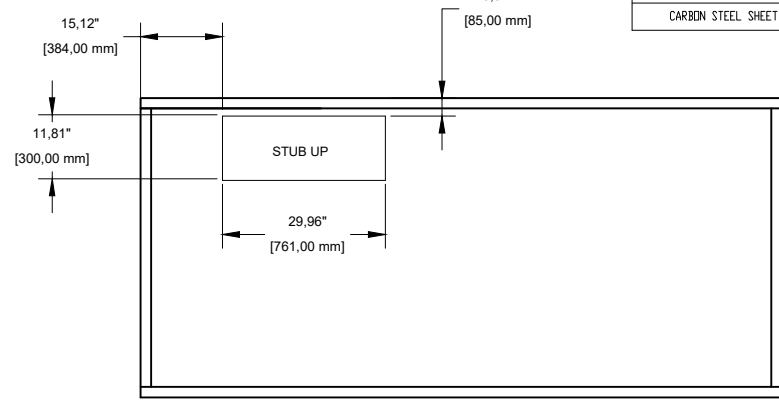
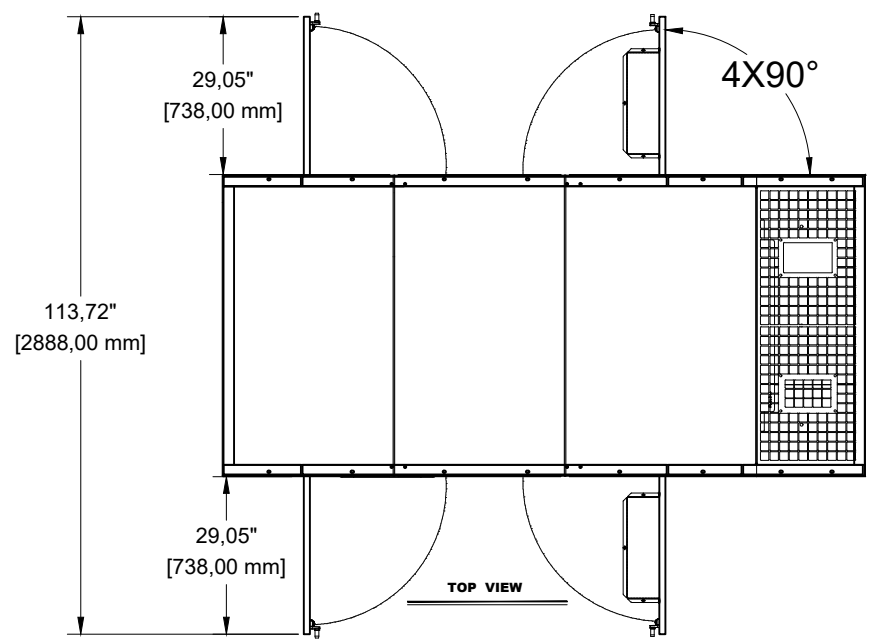
PART TOLERANCE TABLE				NON SPECIFIED TOLERANCES	
INTERVAL	TOLERANCE	DIAMETERS	ANGULAR		
0" - 40"	± 0.04"	± 0.03"	± 2°		
40" - 16.5"	± 0.08"				
16.5" - 40"	± 0.12"				
40" - 328"	± 0.4"				

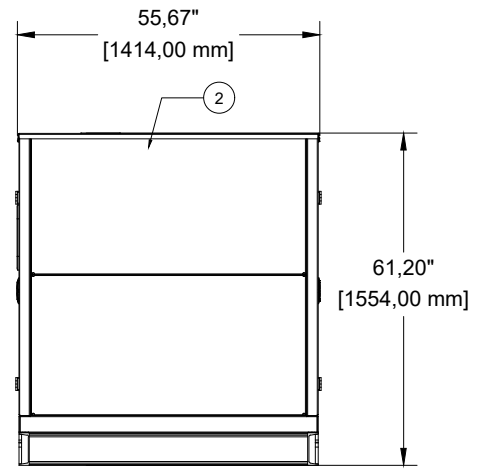
MATERIAL	ITEM	WEIGHT (lb)	FINISH
CARBON STEEL SHEET METAL 19mm (CAL.)	NA	--	CLEAN SURFACES FREE OF BURRS

APPROXIMATE WEIGHT: 3,750

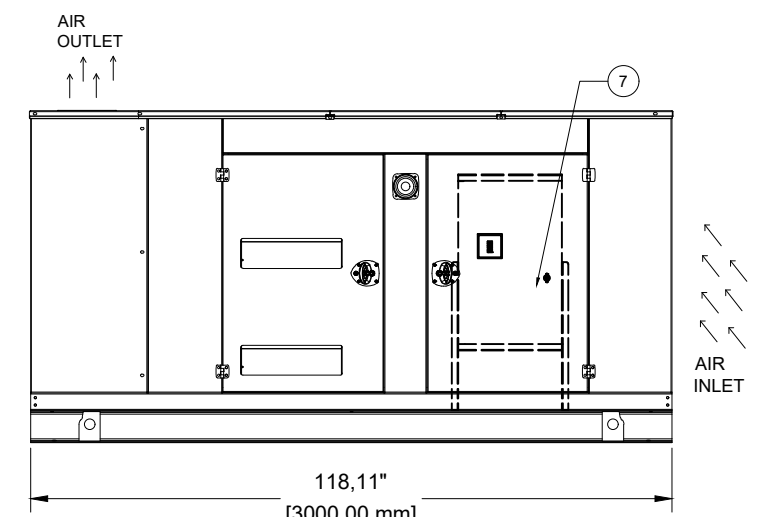
PRELIMINARY



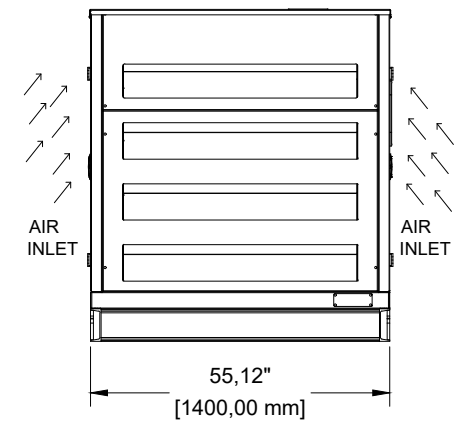
TOP VIEW



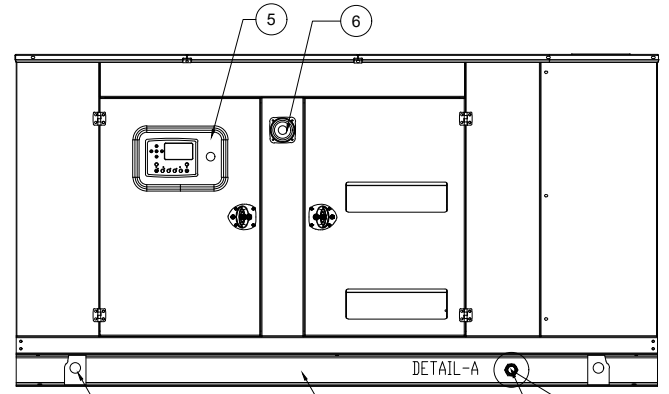
FRONT VIEW



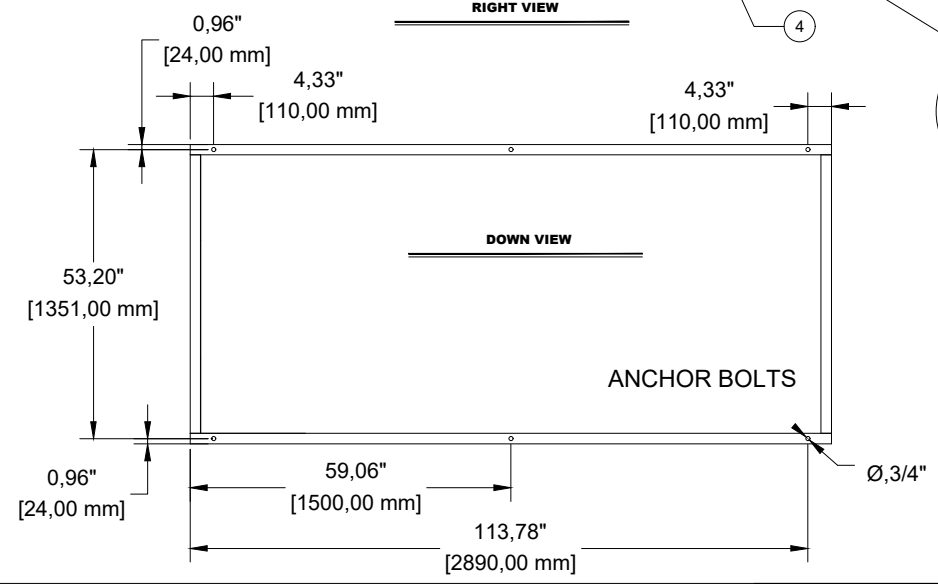
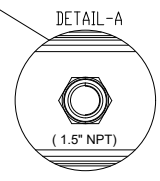
LEFT VIEW



REAR VIEW



RIGHT VIEW



DOWN VIEW

ANCHOR BOLTS

ITEM	DESCRIPTION
7	BREAKER
6	EMERGENCY STOP
5	CONTROL PANEL
4	GAS SUPPLY
3	LIFTING SLUG
2	MODULAR ACOUSTIC CABIN
1	CHASSIS

DEPT: ENGINEERING	DATE: 24-02-2022	DRAWING: DLM	REVISED: DMC	APPROVED: HHM
SCALE: --	CUSTOMER: UL STD	DRAWING No: NG-GSPSI0100S-UL		
ACOT: INCH				

TITLE: BASE FRAME AND ENCLOSURE FOR ENGINE-ALTERNATOR PSI 5.7LT CAC-STAMFORD/LEROY-SOMER 100 KW NG	REV: 00
	SHEET 1 OF 1

IGSA S.A. DE C.V.  
OFFICE GENERAL: RISE OF REFORM No. 2977, COL. GUADALUPE, CP 05000, CDH.F. MEX.  
PLANT: ANIMOLILCO-DOYDACCAC KM-5 ROAD, LERMA EDO. FROM MEXICO, CP 52740  
ENGINEERING DEPARTMENT: TEL: 01 (52) 56265350 Ext: 3018,3020 & 3030.

THE INFORMATION CONTAINED HEREIN IS EXCLUSIVE PROPERTY OF IGSA S.A. DE C.V. THEREFORE IT CAN NOT BE USED, COPIED OR DUPLICATED WITHOUT THE WRITTEN CONSENT OF IGSA S.A. DE C.V.