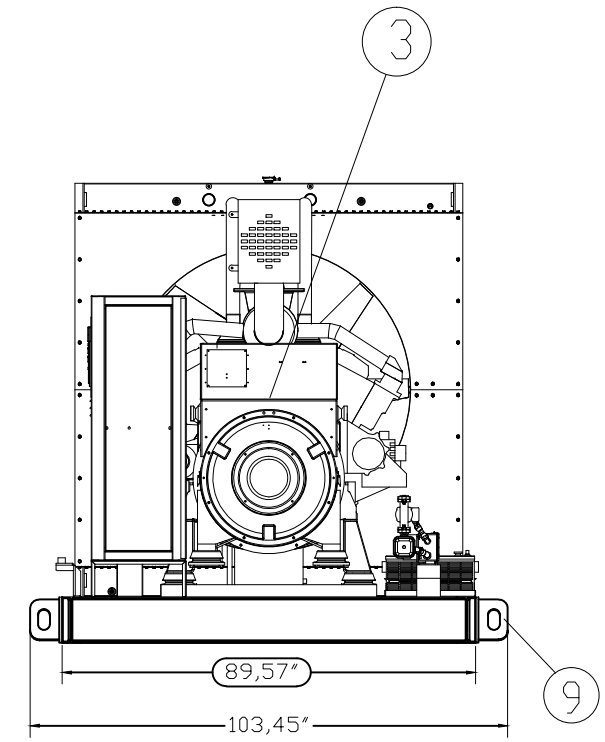
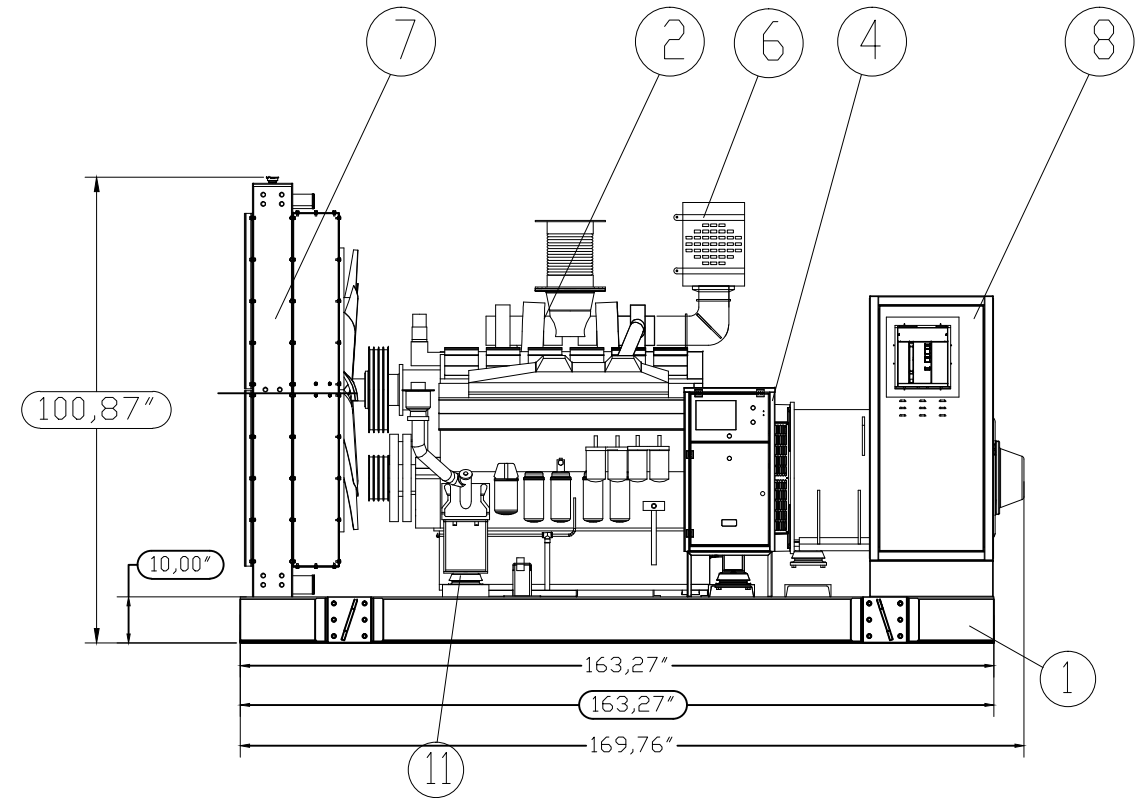
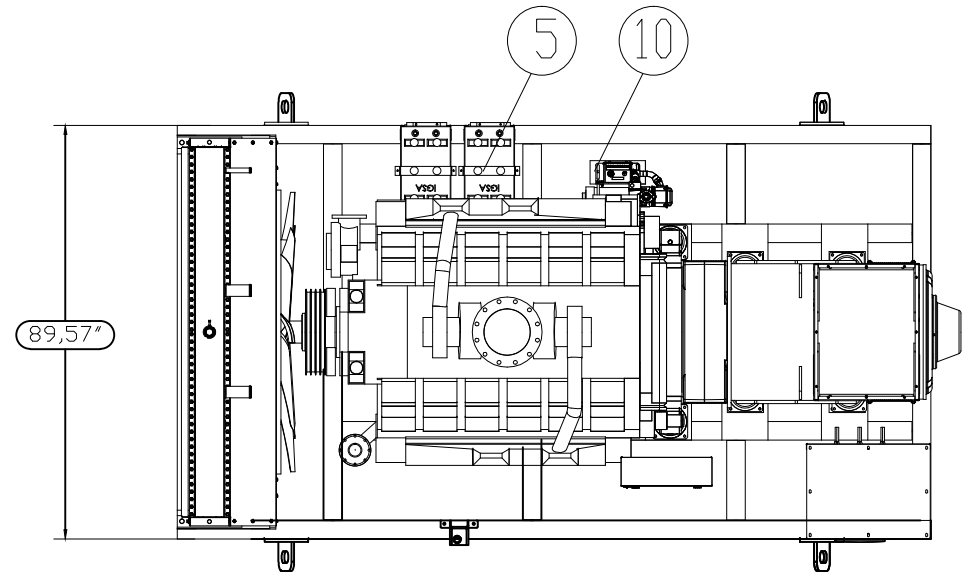


SIMBOLOGY CONTROL
 —()— INSPECTION DIMENSION
 No. DRAWING REVISION

NON SPECIFIED TOLERANCES			
PART TOLERANCES TABLE		GENERAL TOLERANCES	
INTERVAL	TOLERANCE	DIAMETERS	ANGULAR
0" - 40"	± 0.04"	± 0.03"	± 2°
40" - 16.5"	± 0.08"		
16.5" - 40"	± 0.12"	0.36" ± 0.002"	
40" - 328"	± 0.4"		

MATERIAL	ITEM	WEIGHT (kg)	FINISH
NA		NA	CLEAN SURFACES FREE OF BURRS

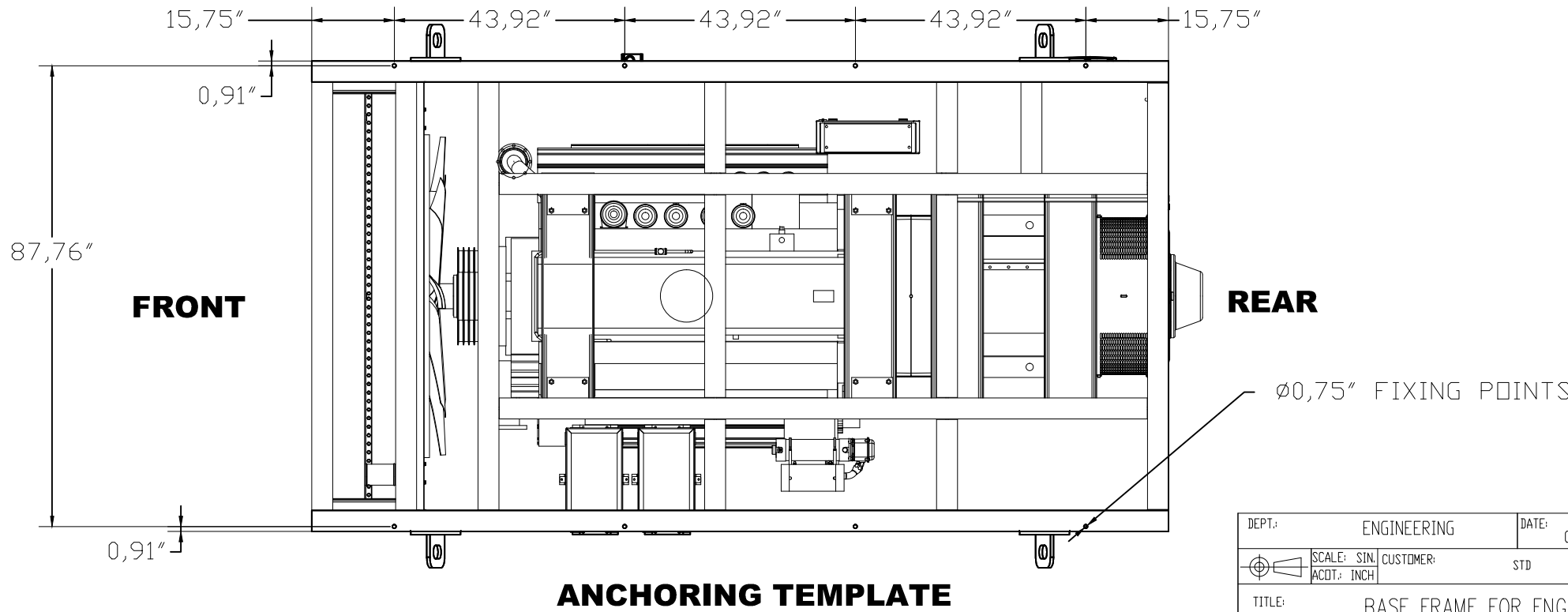
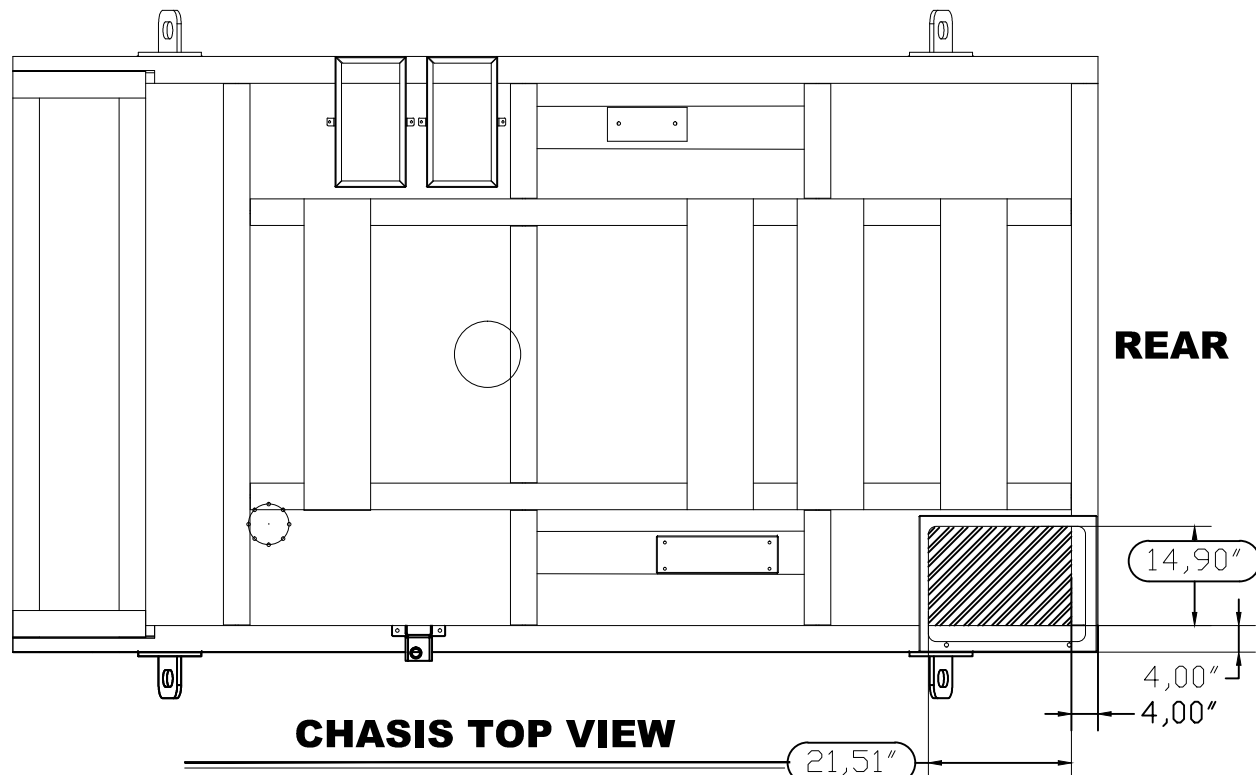


NO. ITEM	DESCRIPTION
11	ISOLATOR
10	PREHEATER
9	LIFTING HOOK
8	BREAKER
7	RADIATOR
6	AIR FILTER
5	BATTERIES
4	CONTROL PANEL
3	ALTERNATOR
2	ENGINE
1	CHASSIS

DEPT.: ENGINEERING	DATE: 07-03-2019	DRAWING: MBG	REVISED: PRFJ	APPROVED: PRFJ
SCALE: SIN / ACOT.: INCH	CUSTOMER: STD	DRAWING No.: EG WD/C MIT-STF 1000KW 480 VAC 3PH		
TITLE: BASE FRAME FOR ENGINE-ALTERNATOR MITSUBISHI-STAMFORD 1000KW/480VAC 3PH/ABB BREAKER E2.2 1600A				REV: 00
				SHEET 1 DE 1
IGSA S.A. DE C.V. <small>OFFICE GENERAL: RIDE OF REFORM No. 2977, COL. CUAJIMALPA, CP 05000, CDMX, MEX. PLANT: AMMOLULCO-DCDYACAC KM-5 ROAD, LERMA EDO. FROM MEXICO, CP 52740. ENGINEERING DEPARTMENT: TEL: 01 (55) 56265350 Ext: 3019,3020 & 3030.</small>		THE INFORMATION CONTAINED HEREIN IS EXCLUSIVE PROPERTY IGSA S.A. DE C.V. THEREFORE IT CAN NOT BE USED, COPIED OR DUPLICATED WITHOUT THE WRITTEN CONSENT IGSA S.A. DE C.V.		

SIMBOLOGY CONTROL
 ——— INSPECTION DIMENSION
 No. DRAWING REVISION

NON SPECIFIED TOLERANCES			
PART TOLERANCES TABLE		GENERAL TOLERANCES	
INTERVAL	TOLERANCE	DIAMETERS	ANGULAR
0" - 40"	± 0.04"	± 0.03"	± 2°
40" - 16.5"	± 0.08"		
16.5" - 40"	± 0.12"	0.36" ± 0.002"	
40" - 328"	± 0.4"		
MATERIAL	ITEM	WEIGHT (kg)	FINISH
NA		NA	CLEAN SURFACES FREE OF BURRS



DEPT.: ENGINEERING	DATE: 07-03-2019	DRAWING: MBG	REVISED: PRFJ	APPROVED: PRFJ
SCALE: SIN / ACOT.: INCH	CUSTOMER: STD	DRAWING No.: EG WD/C MIT-STF 1000KW 480 VAC 3PH		
TITLE: BASE FRAME FOR ENGINE-ALTERNATOR MITSUBISHI-STAMFORD 1000KW/480VAC 3PH/ABB BREAKER E2.2 1600A				REV.: 00
				SHEET 1 DE 1
IGSA S.A. DE C.V. <small>OFFICE GENERAL: RIDE OF REFORM No. 2977, COL. CUAJIMALPA, CP 05000, CDMX, MEX. PLANT: AMMOLULCO-DCDYDACAC KM-5 ROAD, LERMA EDO. FROM MEXICO, CP 52740. ENGINEERING DEPARTMENT: TEL: 01 (55) 56265350 Ext: 3019,3020 & 3030.</small>		HE INFORMATION CONTAINED HEREIN IS EXCLUSIVE PROPERTY IGSA S.A. DE C.V. THEREFORE IT CAN NOT BE USED, COPIED OR DUPLICATED WITHOUT THE WRITTEN CONSENT IGSA S.A. DE C.V.		