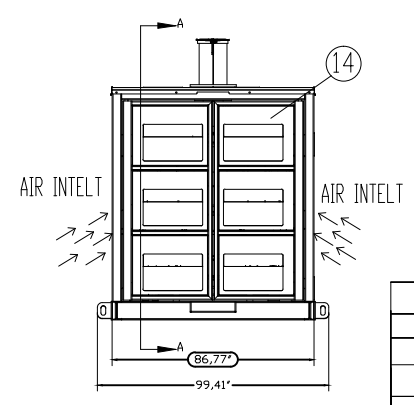
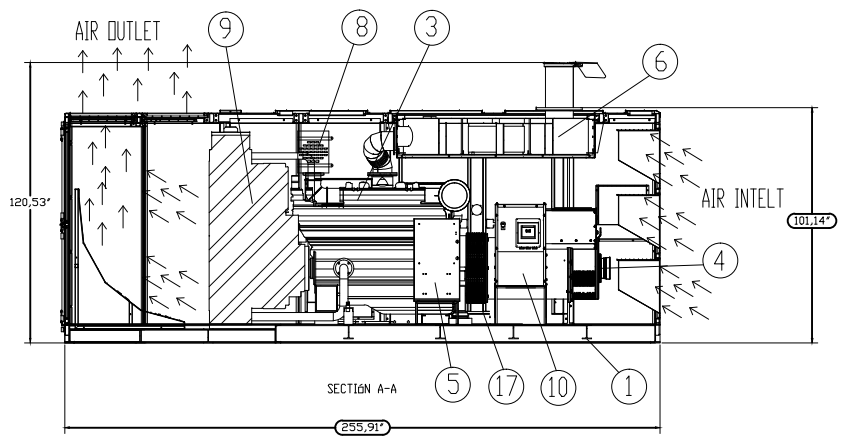
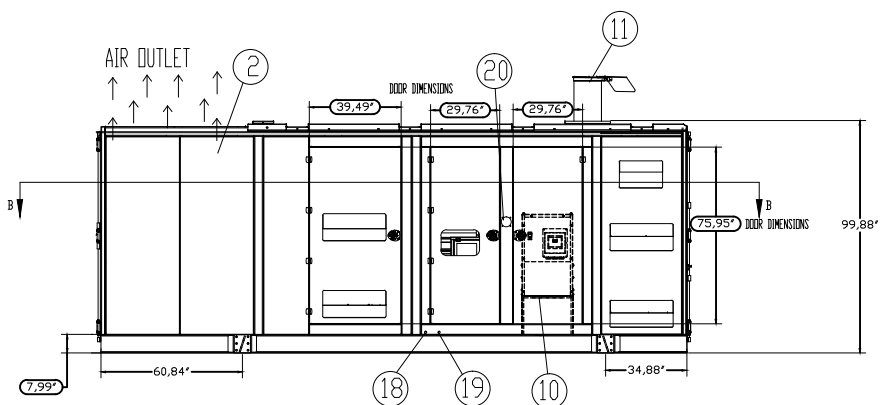
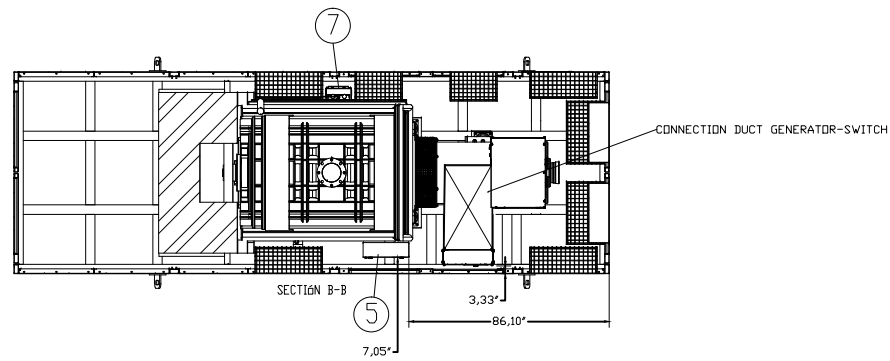
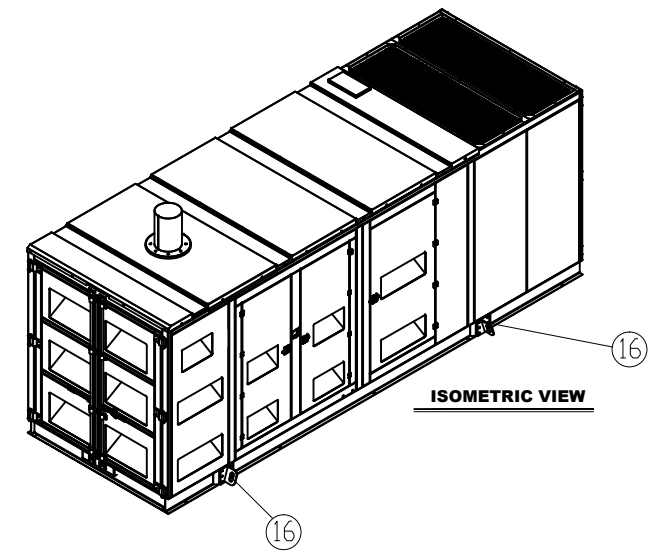
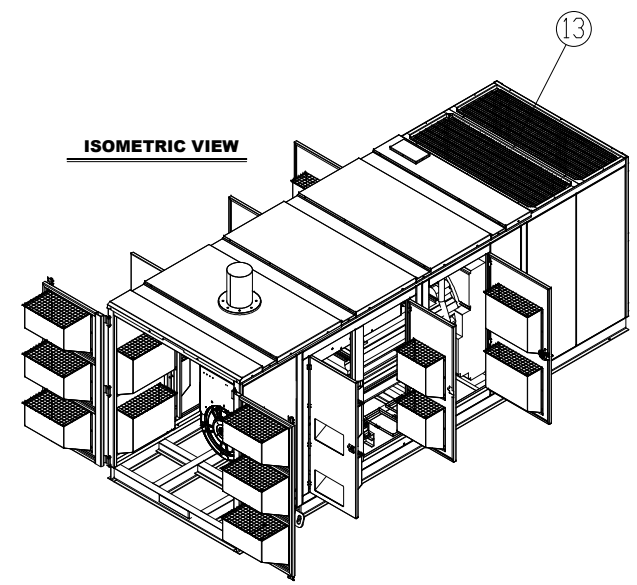
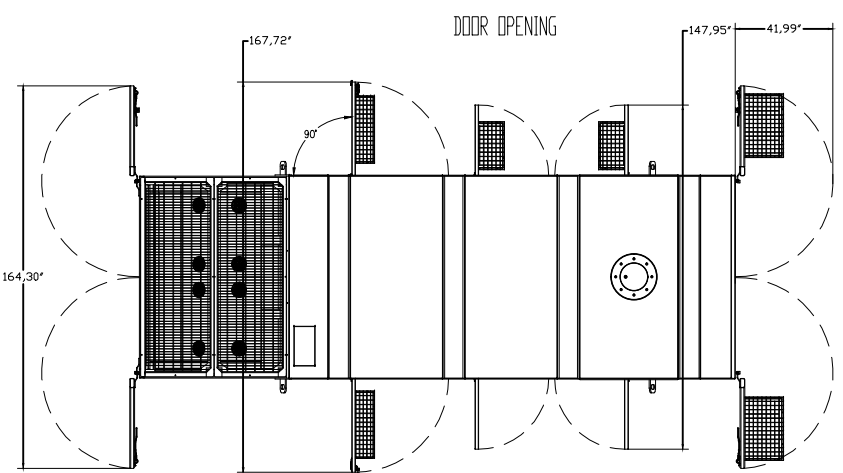


SIMBOLOGY CONTROL
 ——— INSPECTION DIMENSION
 No. DRAWING REVISION

NON SPECIFIED TOLERANCES			
PART TOLERANCES TABLE		GENERAL TOLERANCES	
INTERVAL	TOLERANCE	DIAMETERS	ANGULAR
0" - 40"	± 0.04"	± 0.03"	± 2°
40" - 16.5"	± 0.08"		
16.5" - 40"	± 0.12"	0.36" ± 0.002"	
40" - 328"	± 0.4"		
MATERIAL		ITEM	WEIGHT (kg)
NA			NA
FINISH			
CLEAN SURFACES FREE OF BURRS			



13	FRONT AIR OUTPUT	6	HOCKEY PUCK TYPE SILENCER
12	FUEL RETURN	5	CONTROL PANEL
11	EXHAUST OUTLET	4	ALTERNATOR
10	BREAKER	3	ENGINE
9	RADIATOR	2	MODULAR ACOUSTIC CABIN
8	AIR FILTER	1	CHASSIS
7	BATTERIES		
20	EMERGENCY STOP		
19	DRAIN OF OIL		
18	REFRIGERANT DREN		
17	PREHEATER		
16	LIFTING HOOK		
15	FUEL SUCTION		
14	REAR AIR INLET		

DEPT.: ENGINEERING	DATE: 07-03-2019	DRAWING: MBG	REVISED: PRFJ	APPROVED: PRFJ
SCALE: SIN. ACOT.: INCH	CUSTOMER: STD	DRAWING No: EG W/C MIT-STF 800KW 480 VAC 3PH		REV: 00
TITLE: BASE FRAME AND CANOPY FOR ENGINE-ALTERNATOR MITSUBISHI-STAMFORD 800KW/480VAC 3PH/ABB BREAKER T7S 1200A				SHEET 1 DE 1
IGSA S.A. DE C.V. OFFICE GENERAL: RIDE OF REFORM No. 2977, COL. CUAJIMALPA, CP 05000, CDMX, MEX. PLANT: AMMOLULCO-DCDYACAC KM-5 ROAD, LERMA EDO. FROM MEXICO, CP 52740 ENGINEERING DEPARTMENT: TEL: 01 (55) 56265350 Ext: 3018,3020 & 3030,		THE INFORMATION CONTAINED HEREIN IS EXCLUSIVE PROPERTY IGSA S.A. DE C.V. THEREFORE IT CAN NOT BE USED, COPIED OR DUPLICATED WITHOUT THE WRITTEN CONSENT IGSA S.A. DE C.V.		

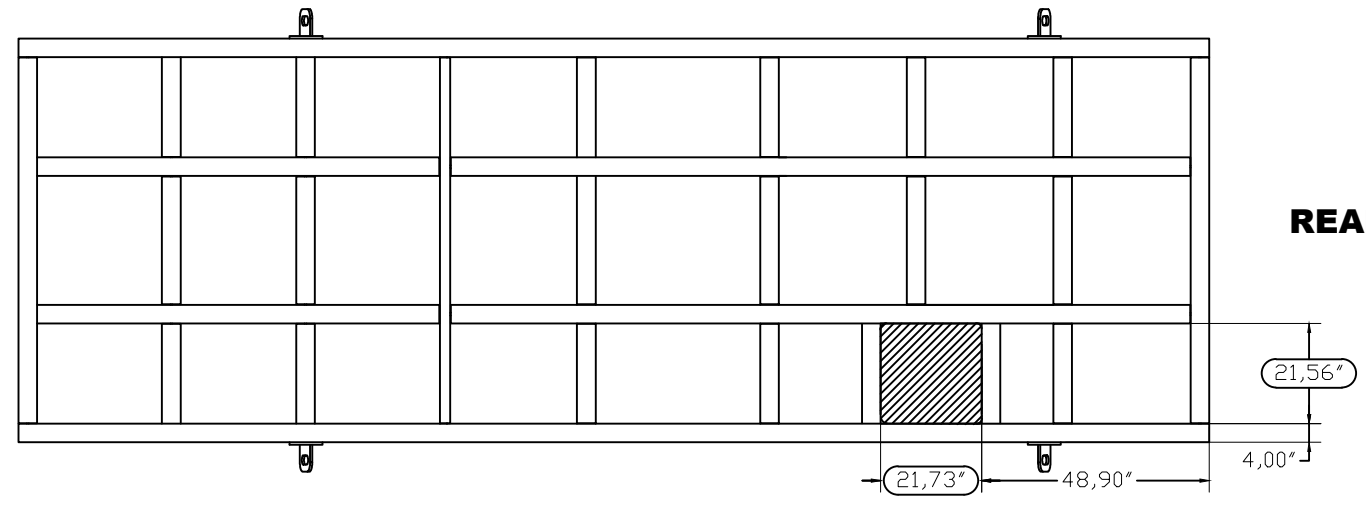
SIMBOLOGY CONTROL
 ——— INSPECTION DIMENSION
 No. DRAWING REVISION

PART TOLERANCES TABLE		GENERAL TOLERANCES	
INTERVAL	TOLERANCE	DIAMETERS	ANGULAR
0" - 40"	± 0.04"	± 0.03"	± 2°
40" - 16.5"	± 0.08"		
16.5" - 40"	± 0.12"	0.36" ± 0.002"	
40" - 328"	± 0.4"		

MATERIAL	ITEM	WEIGHT (kg)	FINISH
NA		NA	CLEAN SURFACES FREE OF BURRS

FRONT

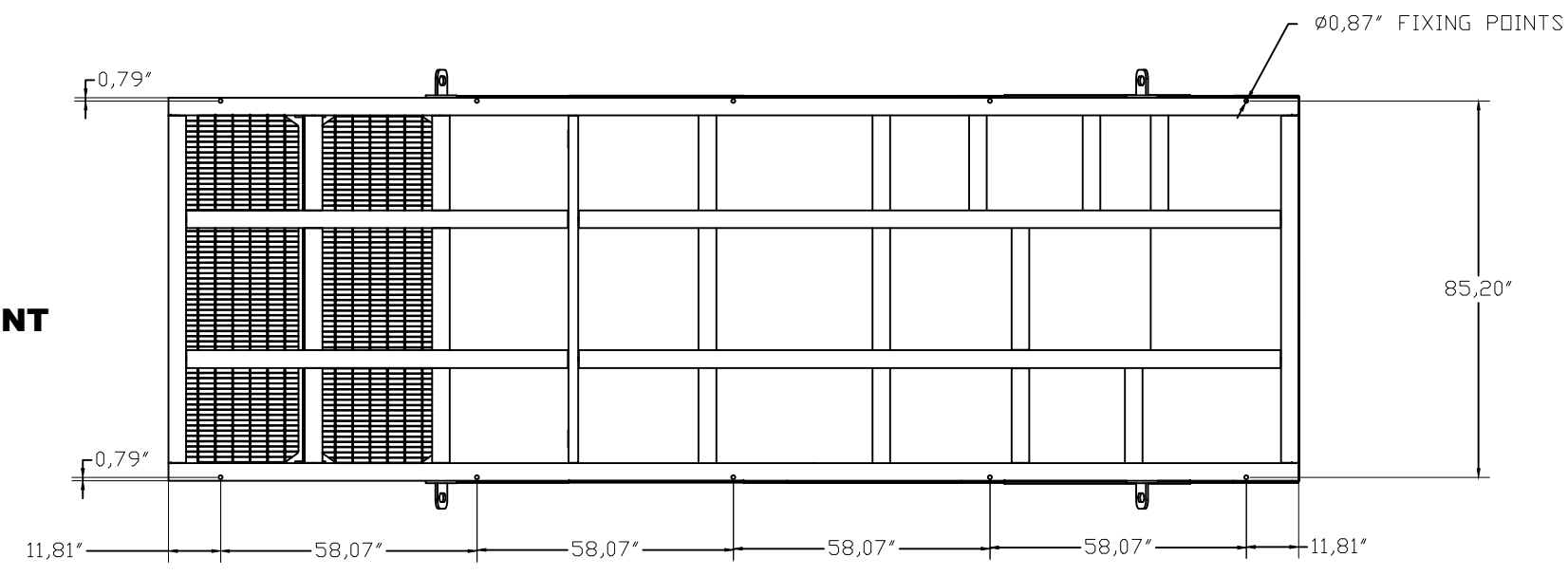
REAR



CHASIS TOP VIEW

FRONT

REAR



ANCHORING TEMPLATE

DEPT.: ENGINEERING	DATE: 07-03-2019	DRAWING: MBG	REVISED: PRFJ	APPROVED: PRFJ
SCALE: SIN / ACOT.: INCH	CUSTOMER: STD	DRAWING No.: EG W/C MIT-STF 800KW 480 VAC 3PH		
TITLE: BASE FRAME AND CANOPY FOR ENGINE-ALTERNATOR MITSUBISHI-STAMFORD 800KW/480VAC 3PH/ABB BREAKER T7S 1200A				REV.: 00
				SHEET 1 DE 1
IGSA S.A. DE C.V. <small>OFFICE GENERAL: RIDE OF REFORM No. 2977, COL. CUAJIMALPA, CP 05000, CDMX, MEX. PLANT: AMMOLULCO-000YDACC KM-5 ROAD, LERMA EDO. FROM MEXICO, CP 52740. ENGINEERING DEPARTMENT: TEL: 01 (55) 56265350 Ext: 3018,3020 & 3030.</small>		<small>THE INFORMATION CONTAINED HEREIN IS EXCLUSIVE PROPERTY IGSA S.A. DE C.V. THEREFORE IT CAN NOT BE USED, COPIED OR DUPLICATED WITHOUT THE WRITTEN CONSENT IGSA S.A. DE C.V.</small>		