

CONTROL SIMBOLOGY



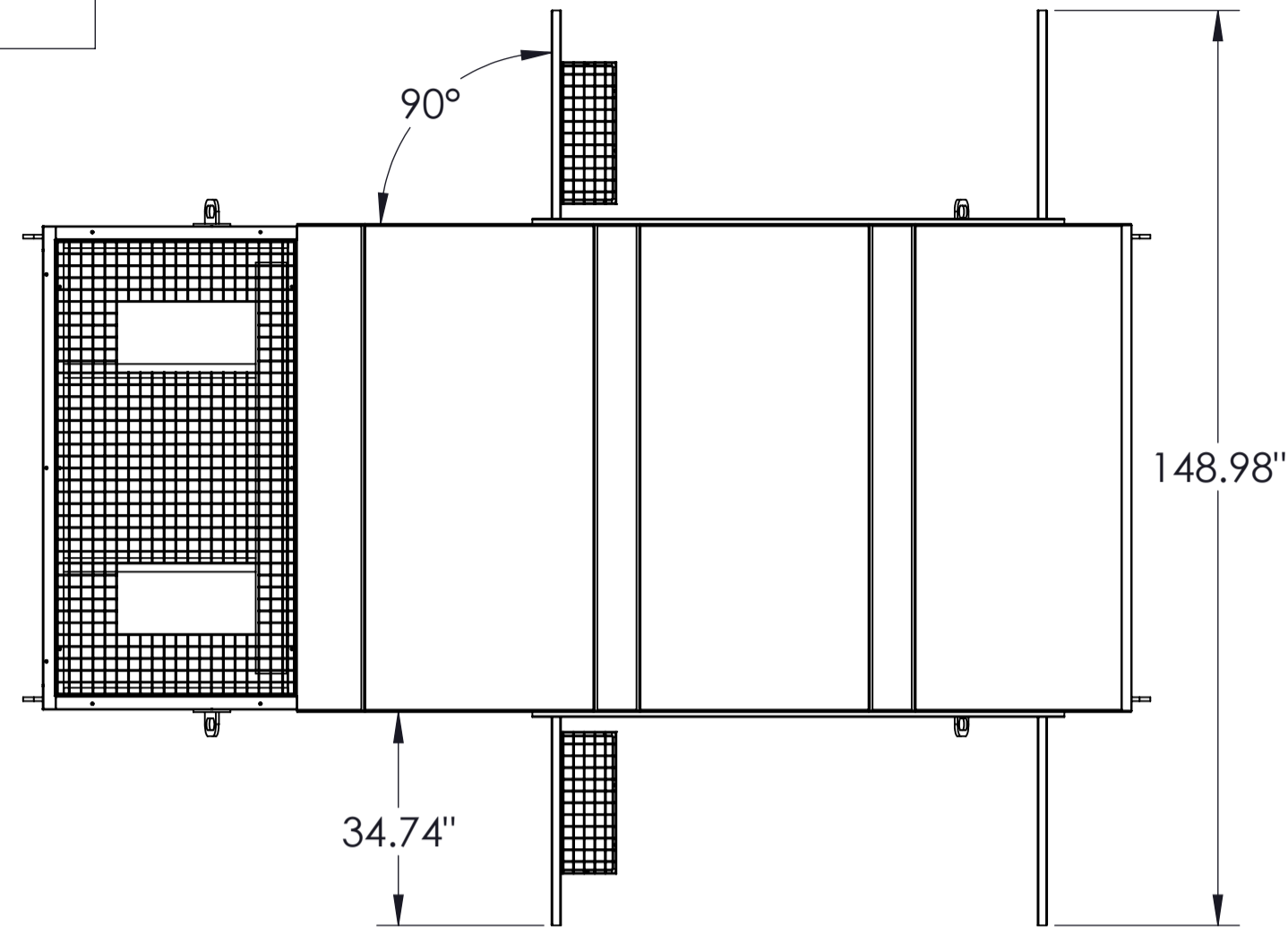
-  INSPECTION MEASURE
-  DRAWING REVISION
- 'C' = CUT 'D' = BEND

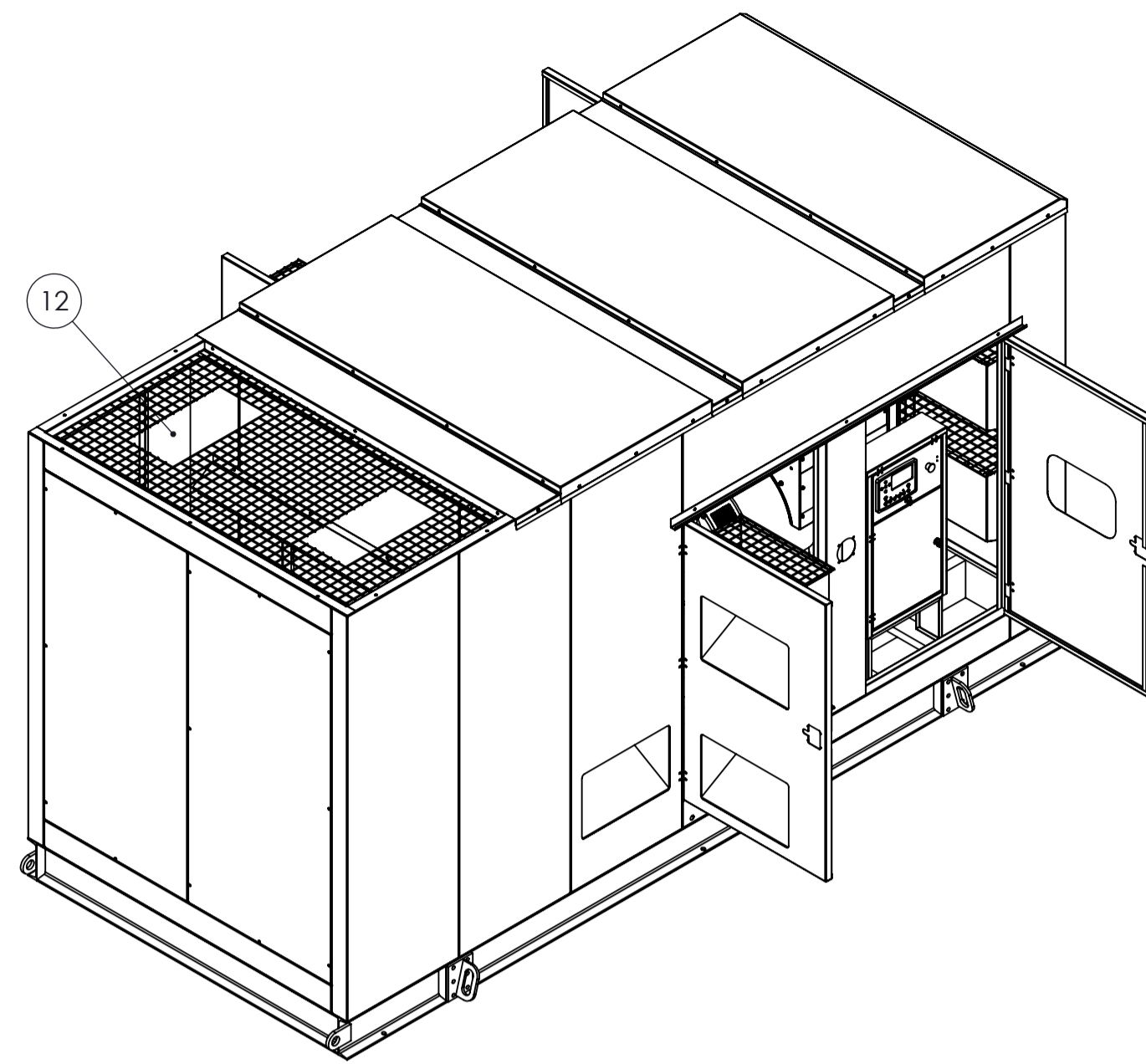
TABLA DE TOLERANCIAS ESTANDAR DE NO ESPECIFICARSE

TOLERANCES OF FINISHED PART		GENERAL TOLERANCES	
RANGO	TOLERANCIA	DIAMETROS	ANGULAR
0 mm - 999 mm	± 1 mm	NO ESPECIFICADO	± 2°
1000mm- 5m	± 2 mm		
5 m-12 m	± 3 mm	ESPECIFICADO	± 0.05
12m-100m	±10 mm		

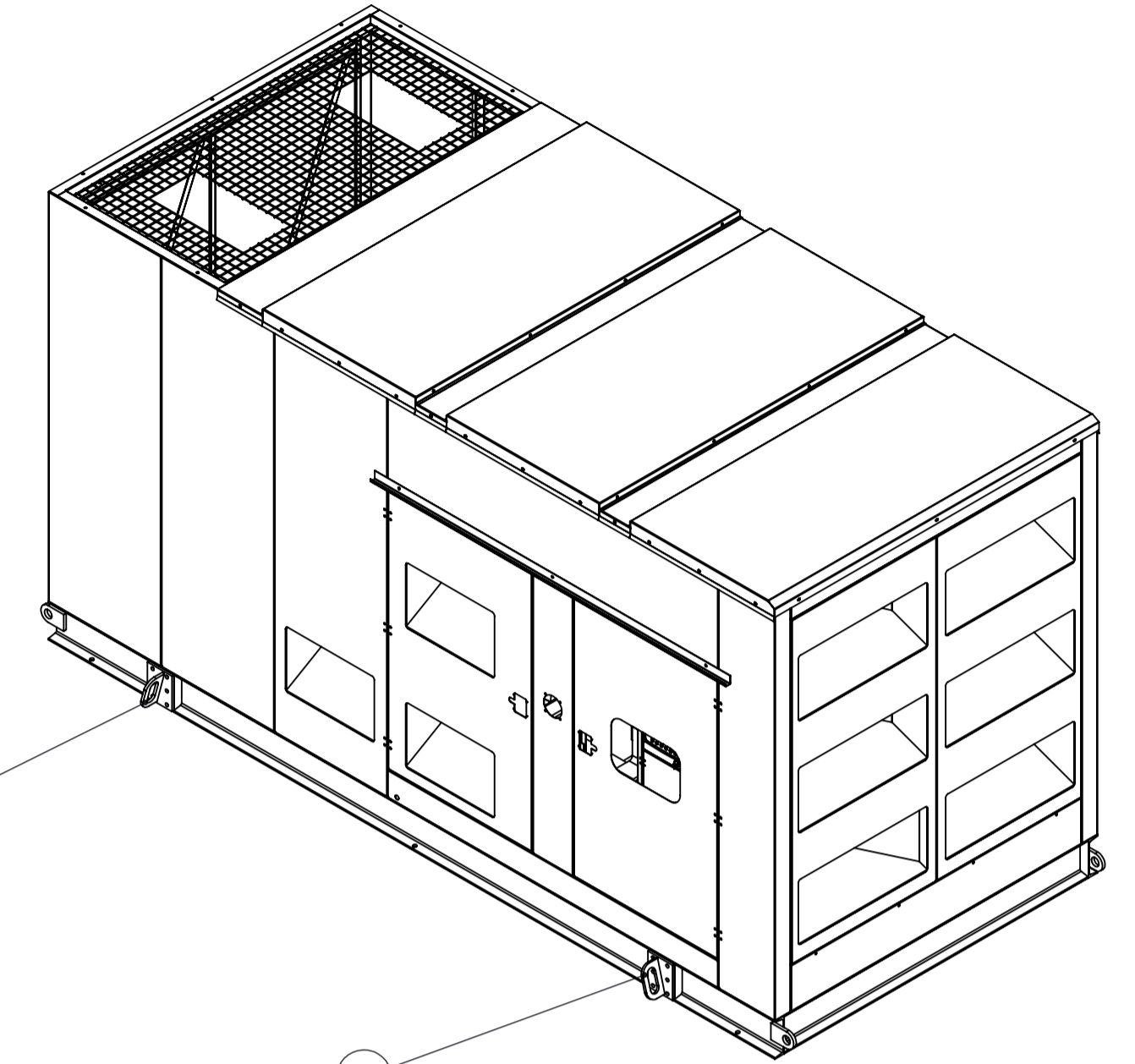
MATERIAL	ITEM	WEIGHT (kg)	FINISH
N/A	N/A		CLEAN SURFACES WITHOUT BURRS



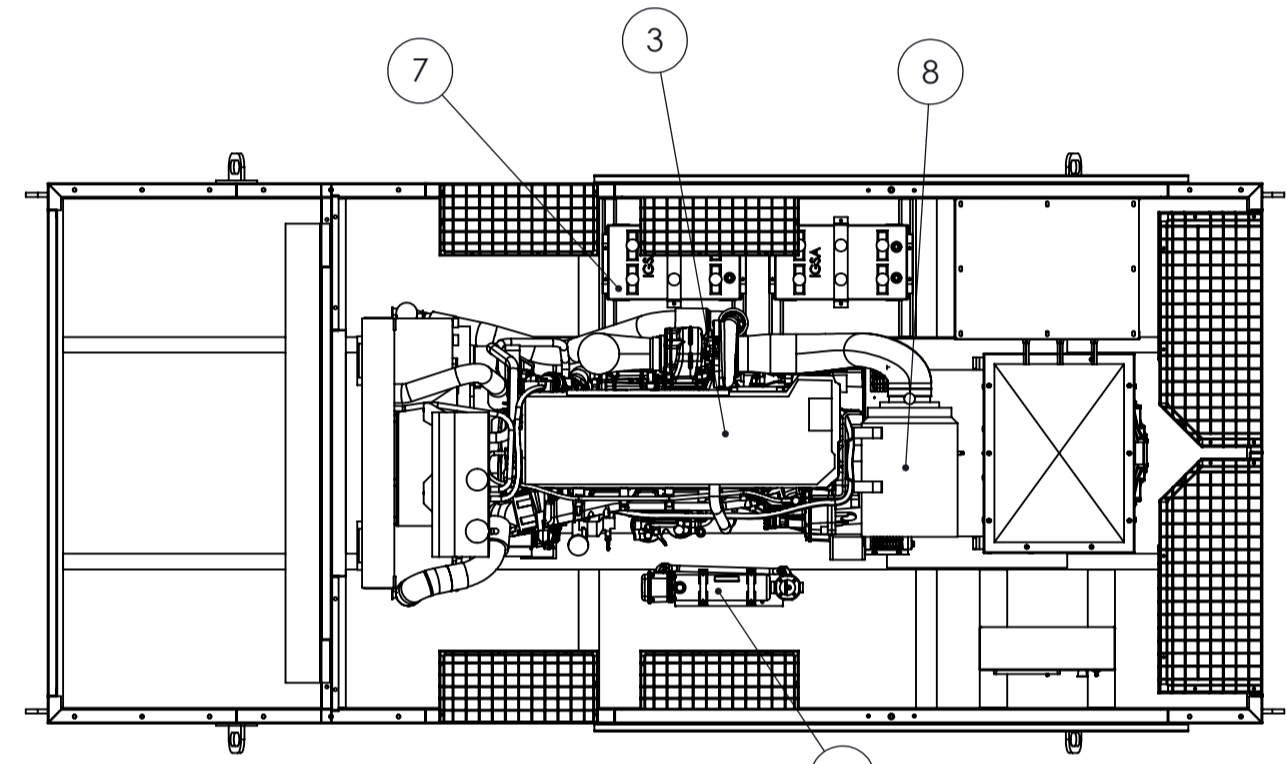
TOP VIEW



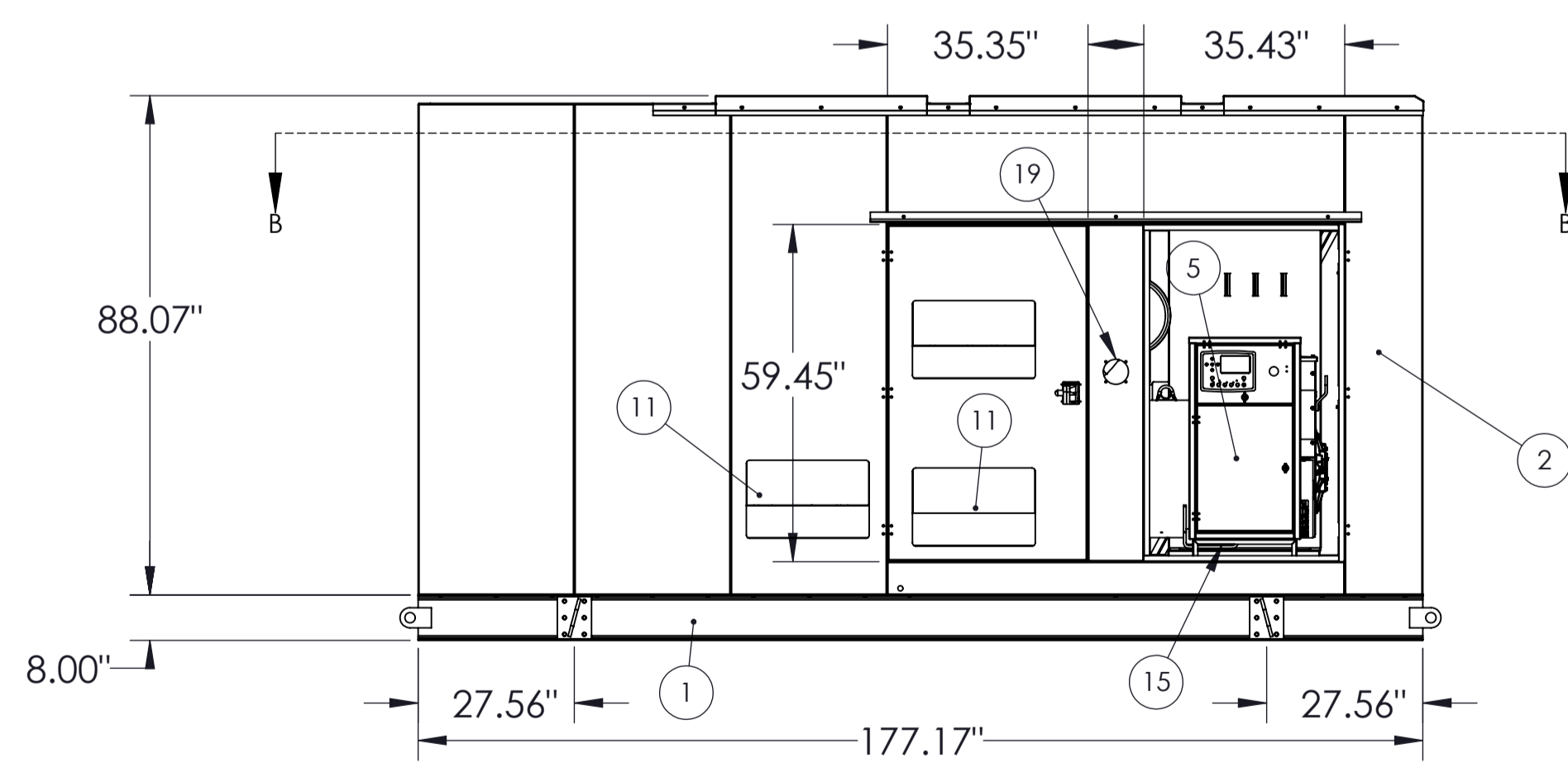
ISOMETRIC VIEW



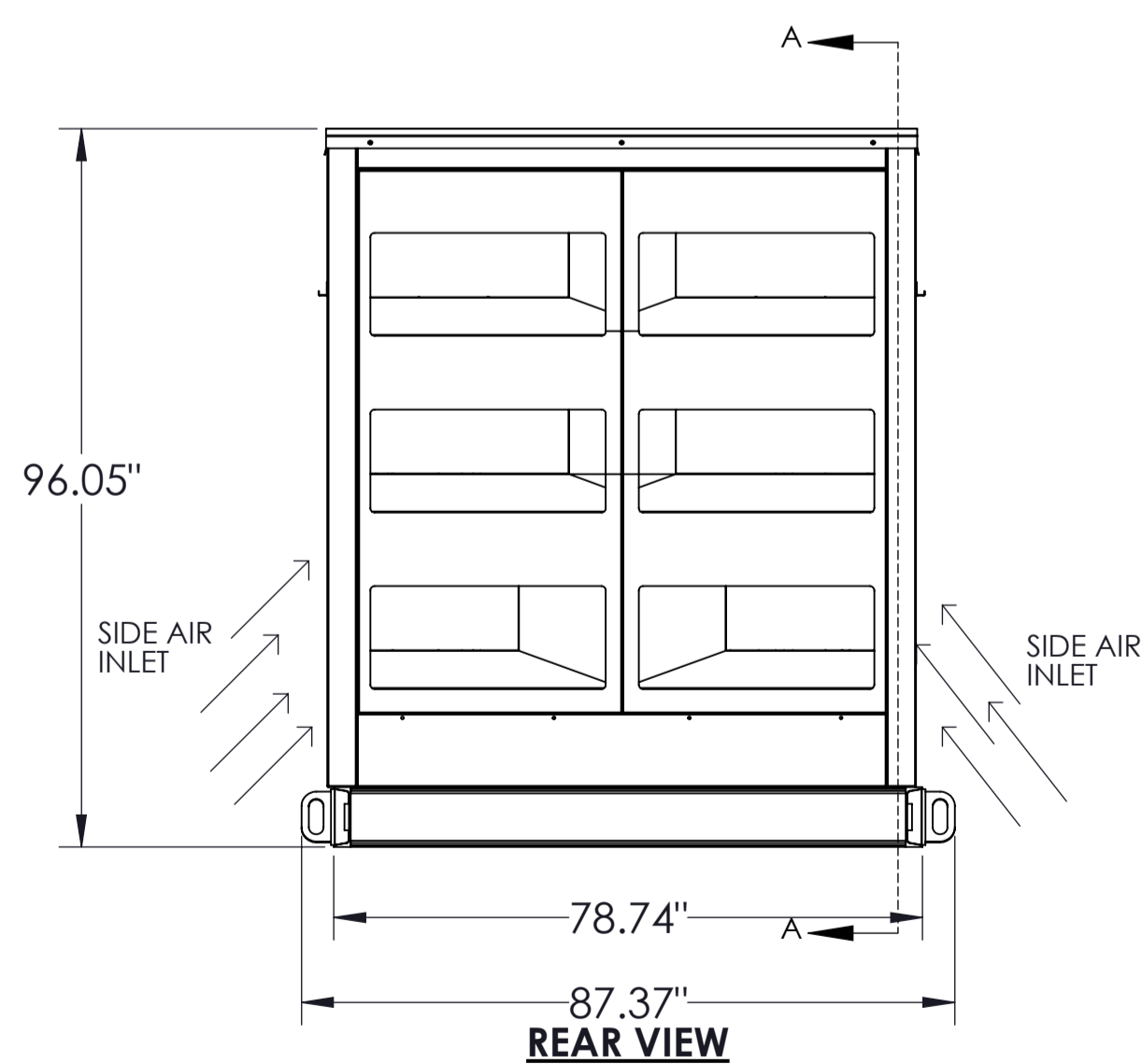
ISOMETRIC VIEW



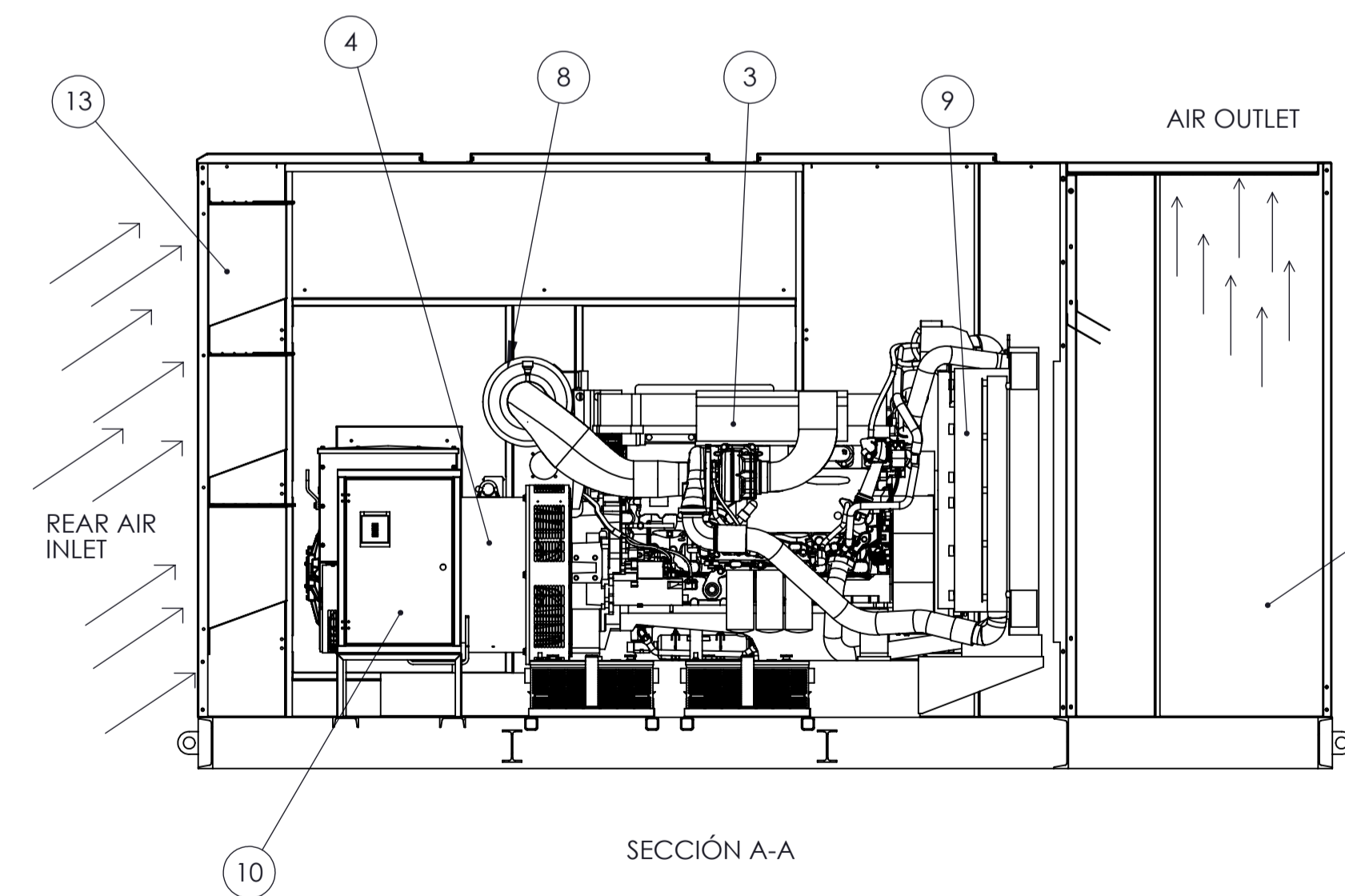
SECTION B-B



RIGHT VIEW




REAR VIEW



SECCIÓN A-A

ITEM NO.	DESCRIPTION
1	CHASSIS
2	MODULAR ACOUSTIC ENCLOSURE
3	ENGINE
4	ALTERNATOR
5	CONTROL PANEL
6	SILENCER
7	BATTERIES
8	AIR FILTER
9	RADIATOR
10	BREAKER
11	SIDE AIR INLET
12	FRONT AIR OUTPUT
13	REAR AIR INLET
14	LIFTING HOOK
15	OUTPUT CABLES
16	HEATER
17	COOLANT DRAINER
18	OIL DRAINER
19	EMERGENCY STOP

DEPTO.: ENGINEERING	DATE: 05/27/2019	DRAWN BY: ARG	REVIEWED BY: MBG	APPROVED BY: FJPR
ESCALE: N/A ACOT.: mm.	CUSTOMER: STD UL	DRAWING No: EG W/C JD-STF 350KW 480VCA 3PH		
PART NAME: BASE FRAME AND CANOPY FOR ENGINE-ALTERNATOR JOHN DEERE- STAMFORD 350KW/480VAC 3PH/ ABB BREAKER T5N 600A				REV.: 00
 IGSA S.A. DE C.V. <small>HEAD QUARTERS: PASEO DE LA REFORMA No. 2977, COL. CUAJIMALPA, CP 05000, MEX. D.F. FACILITIES: HIGHWAY ANIMOLULCO-DOYOCACAC KM-8, LERMA EDO. DE MEXICO, CP 52740 ENGINEERING DEPARTMENT: TEL.: 01 (55) 96269350 Ext.: 3018, 3020 & 3025.</small>				SHEET 1 OF 2

CONTROL SIMBOLOGY

INSPECTION MEASURE

DRAWING REVISION

'C' = CUT 'D' = BEND

TABLA DE TOLERANCIAS ESTANDAR DE NO ESPECIFICARSE			
TOLERANCES OF FINISHED PART		GENERAL TOLERANCES	
RANGO	TOLERANCIA	DIAMETROS	ANGULAR
0 mm - 999 mm	± 1 mm	NO ESPECIFICADOS ± 0.8 mm	± 2°
1000mm- 5m	± 2 mm		
5 m-12 m	± 3 mm	ESPECIFICADOS 9.2-0.05	
12m-100m	±10 mm		
MATERIAL	ITEM	WEIGHT (kg)	FINISH
N/A	N/A		CLEAN SURFACES WITHOUT BURRS

FRONT

REAR

CHASSIS TOP VIEW

FRONT

REAR

ANCHORING TEMPLATE

DEPTO.: ENGINEERING	DATE: 05/27/2019	DRAWN BY: ARG	REVIEWED BY: MBG	APPROVED BY: FJPR
ESCALE: N/A ACOT.: mm	CUSTOMER: STD UL	DRAWING No: PDE-CA 300KW		
PART NAME: BASE FRAME AND ENCLOSURE FOR CUMMINGS, VOLVO AND JOHN DEERE ENGINES FROM 350 UP TO 450KW AND SWITCH T5N ABB (400-600AMP)				REV.: 00
				SHEET 2 OF 2
IGSA S.A. DE C.V. <small>HEAD QUARTERS: PASEO DE LA REFORMA No. 2977, COL. CUAJIMALPA, CP 05000, MEX. D.F. FACILITIES: HIGHWAY ANOMOLULCO-OCYOYACAC KMS. 5, LERMA EDO. DE MEXICO, CP 52740 ENGINEERING DEPARTMENT: TEL.: 01 (52) (5629550) Ext.: 3018, 3020 & 3025.</small>		<small>INFORMATION CONTAINED IN THIS DOCUMENT IS PROPEERTY OF IGSA COMPANY AND IT IS CLASSIFIED AS CONFIDENTIAL, HENCE IT CANNOT BE REPRODUCED TOTALLY OR PARTIALLY WITHOUT THE PREVIOUS AUTHORIZATION FROM IGSA S.A. DE C.V. MEXICO</small>		