

CONTROL SIMBOLOGY


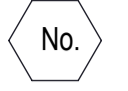
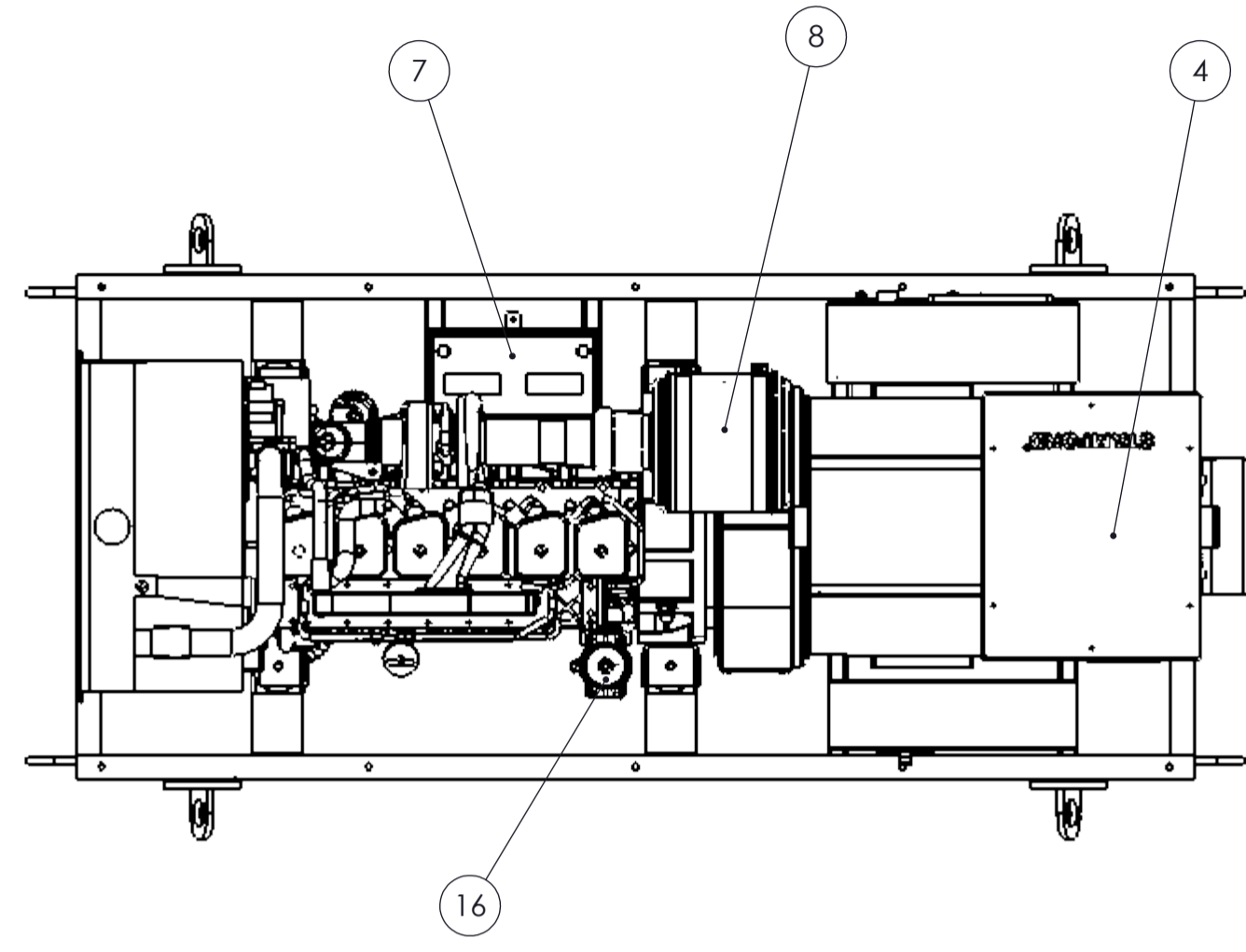
-  INSPECTION MEASURE
-  DRAWING REVISION
- 'C' = CUT 'D' = BEND

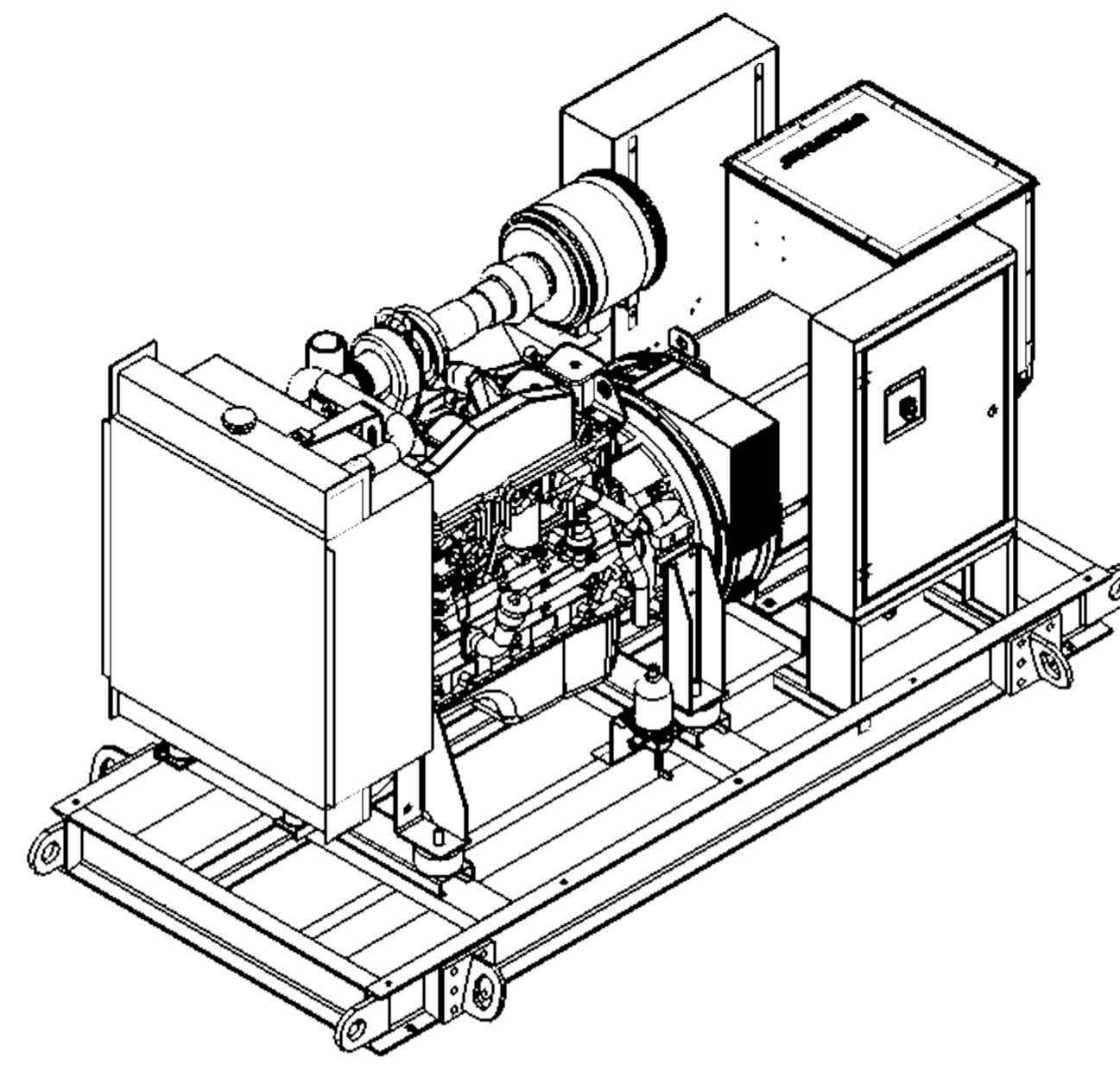
TABLA DE TOLERANCIAS ESTANDAR DE NO ESPECIFICARSE

TOLERANCES OF FINISHED PART		GENERAL TOLERANCES	
RANGO	TOLERANCIA	DIAMETROS	ANGULAR
0 mm - 999 mm	± 1 mm	NO ESPECIFICADO	± 2°
1000mm- 5m	± 2 mm		
5 m-12 m	± 3 mm	ESPECIFICADO	9.2-0.05
12m-100m	±10 mm		

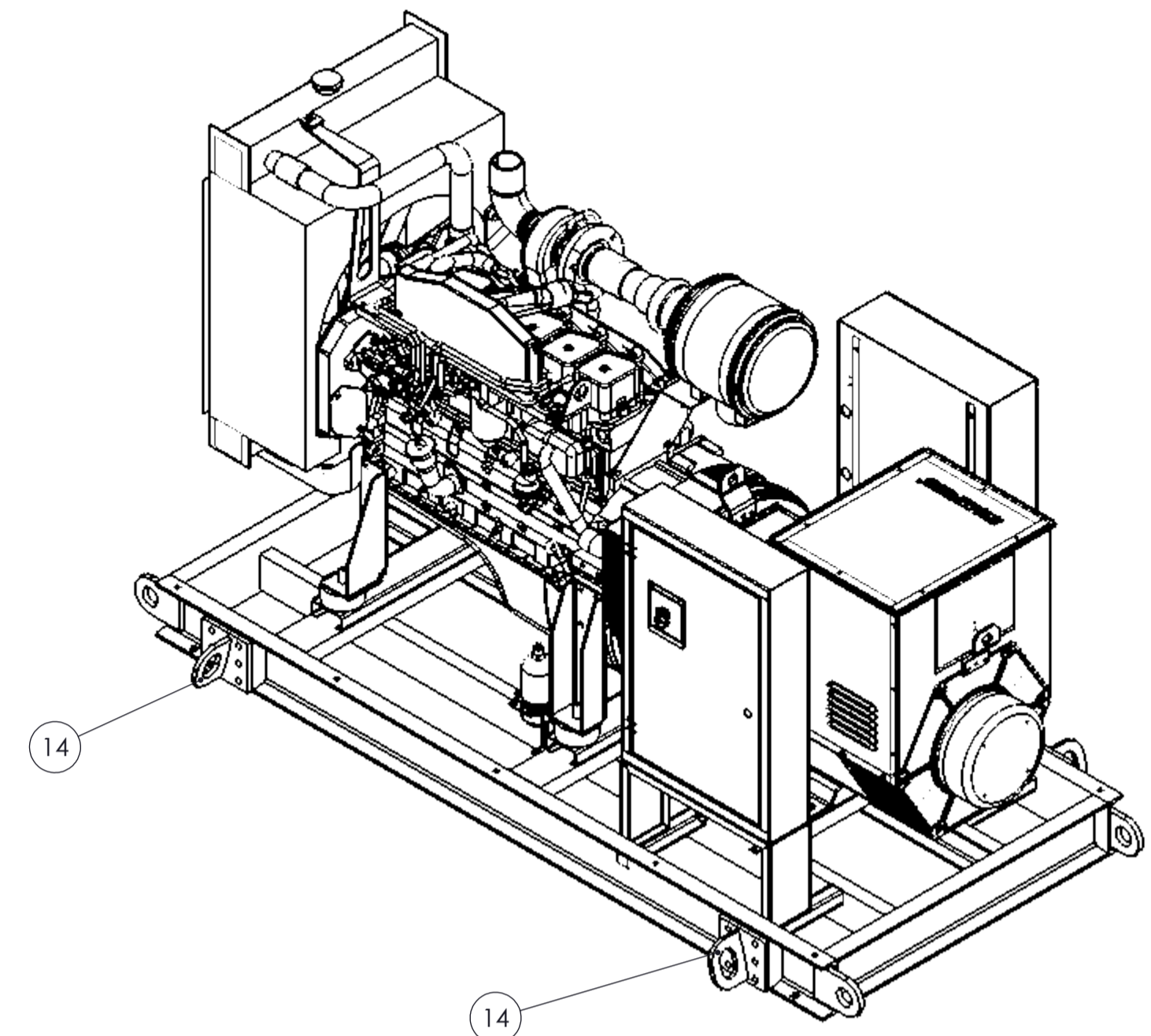
MATERIAL	ITEM	WEIGHT (kg)	FINISH
N/A	N/A		CLEAN SURFACES WITHOUT BURRS



TOP VIEW

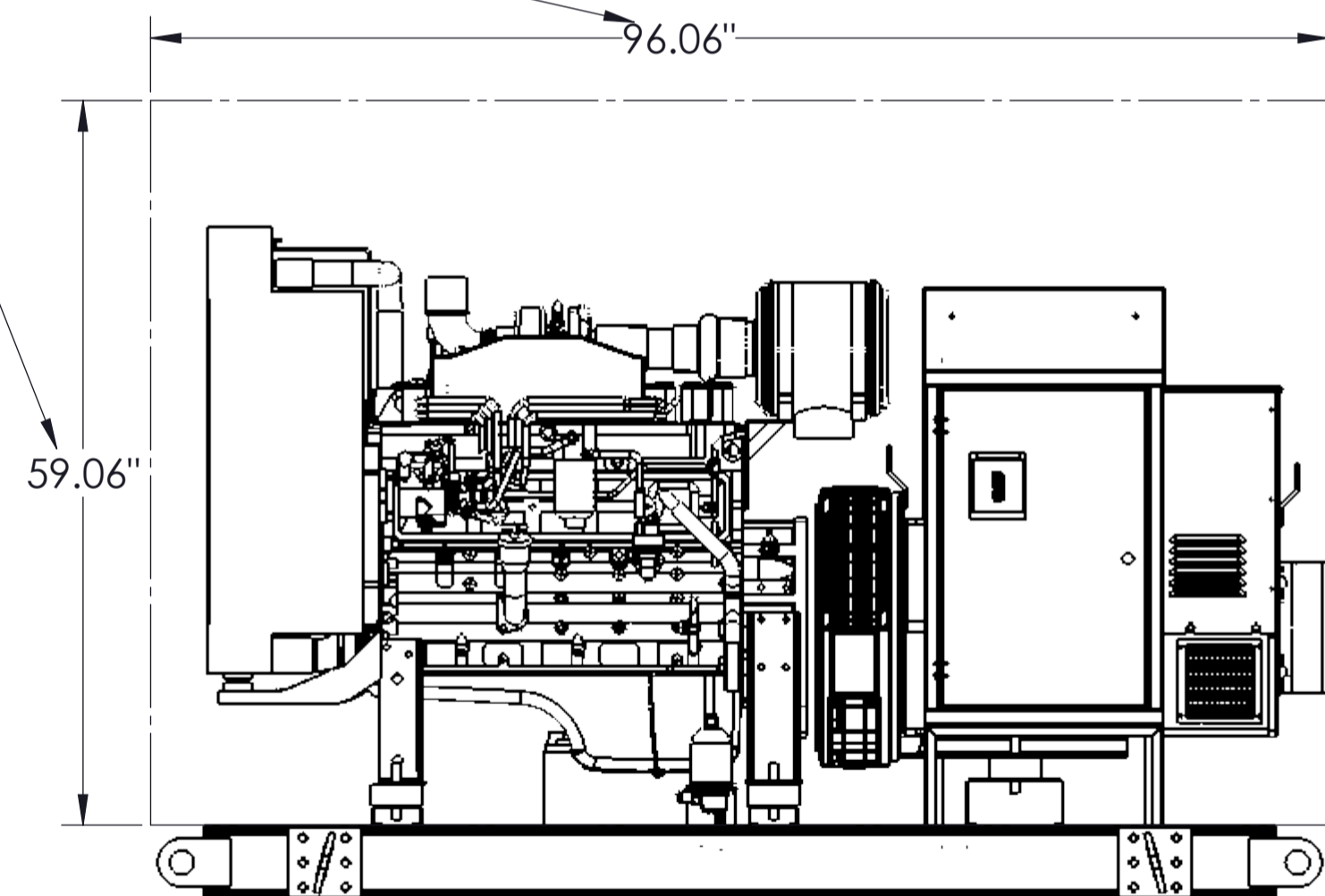


ISOMETRIC VIEW



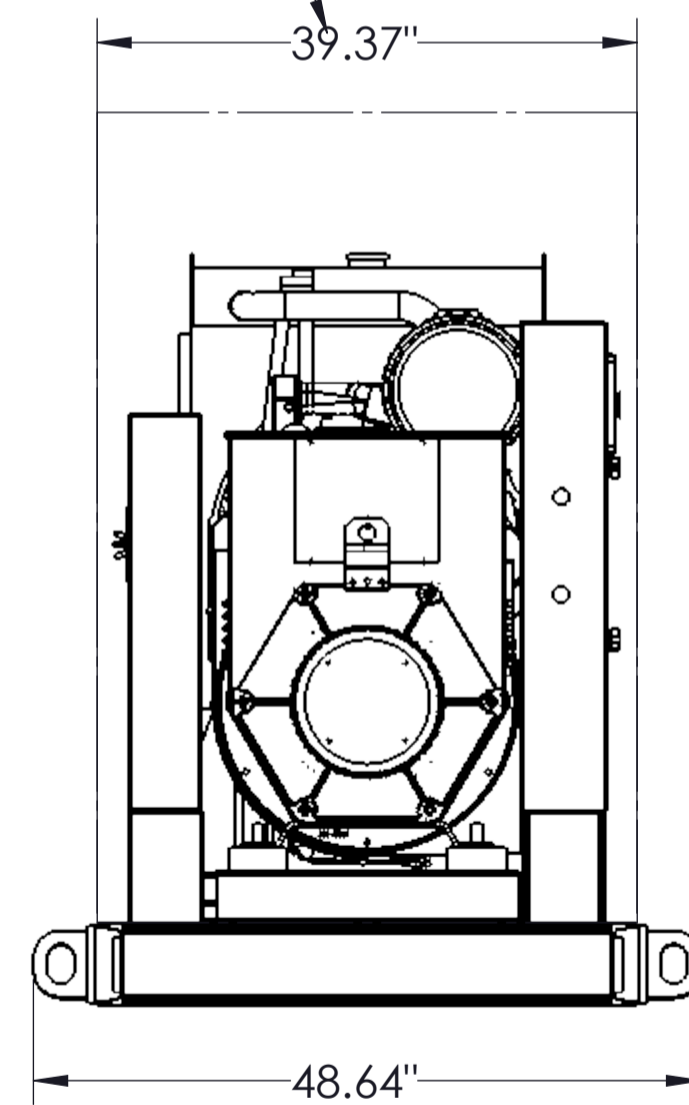
ISOMETRIC VIEW

MAX HEIGHT AND LENGHT DIMENSIONS

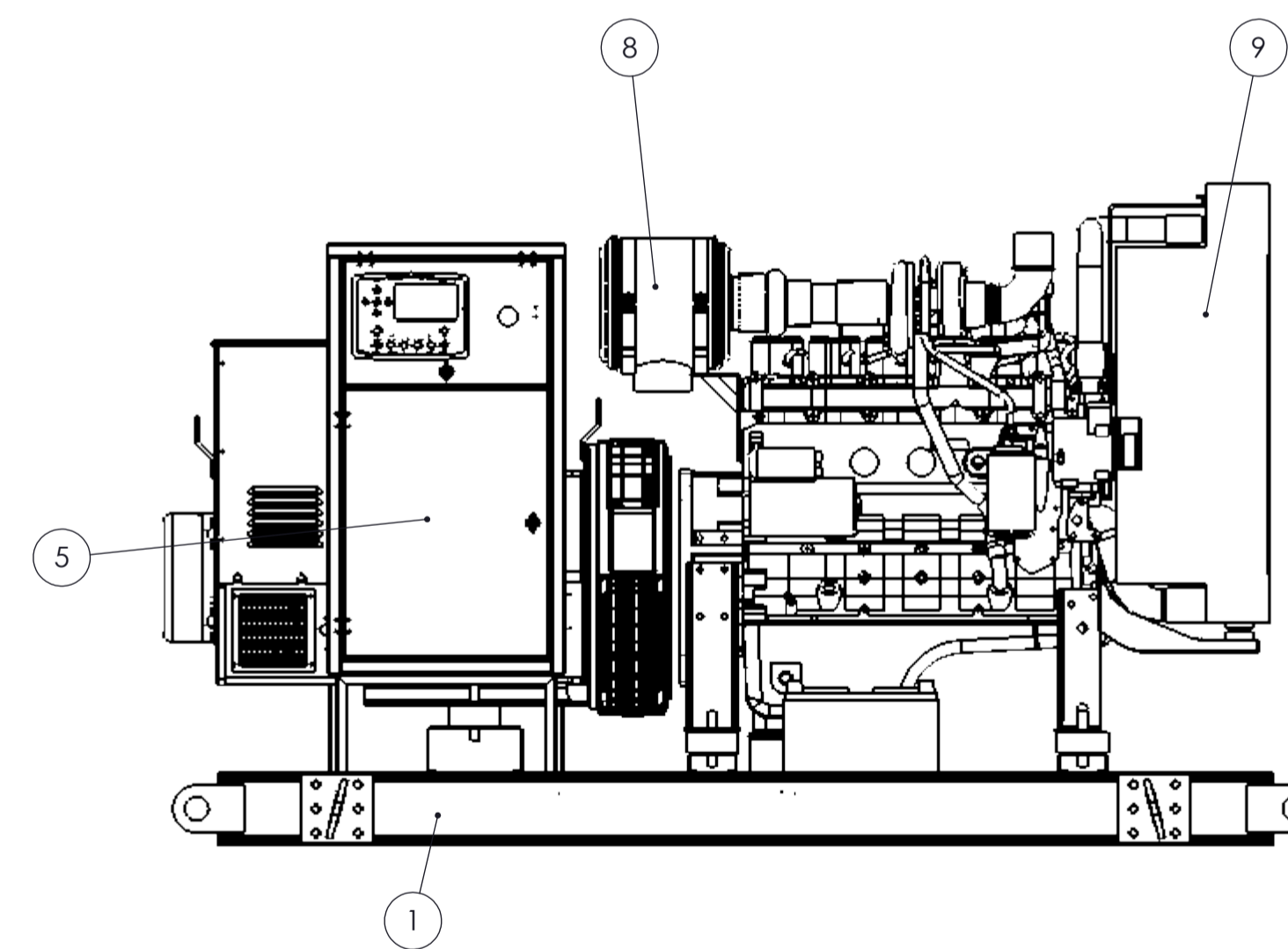


RIGHT VIEW

MAX WIDTH DIMENSION



REAR VIEW



LEFT VIEW

ITEM NO.	DESCRIPTION
1	CHASSIS
2	MODULAR ACOUSTIC ENCLOSURE
3	ENGINE
4	ALTERNATOR
5	CONTROL PANEL
6	SILENCER
7	BATTERIES
8	AIR FILTER
9	RADIATOR
10	BREAKER
11	SIDE AIR INLET
12	FRONT AIR OUTPUT
13	REAR AIR INLET
14	LIFTING HOOK
15	OUTPUT CABLES
16	HEATER
17	COOLANT DRAINER
18	OIL DRAINER
19	EMERGENCY STOP

DEPTO.: ENGINEERING	DATE: 07/04/2019	DRAWN BY: ARG	REVIEWED BY: MBG	APPROVED BY: FJPR
ESCALE: N/A ACOT.: mm.	CUSTOMER: STD UL	DRAWING No: EG W/O JD-STF 125KW 208VCA 3PH		
PART NAME: BASE FRAME AND CANOPY FOR ENGINE-ALTERNATOR JOHN DEERE- STAMFORD 125KW/208VAC 3PH/ ABB BREAKER T5N 600A				REV.: 00
				SHEET 1 OF 2

IGSA S.A. DE C.V.
 HEAD QUARTERS: PASEO DE LA REFORMA No. 2977, COL. CUAJIMALPA, CP 05000, MEX. D.F.
 FACILITIES: HIGHWAY ANIMOLULCO-OCYOYACAC KM-8, LERMA EDO. DE MEXICO, CP 92740
 ENGINEERING DEPARTMENT: TEL.: 01 (55) 96269301 Ext.: 3018, 3020 & 3026.

INFORMATION CONTAINED IN THIS DOCUMENT IS PROPEERTY OF IGSA COMPANY AND IT IS CLASSIFIED AS CONFIDENTIAL, HENCE IT CANNOT BE REPRODUCED TOTALLY OR PARTIALLY WITHOUT THE PREVIOUS AUTHORIZATION FROM IGSA S.A. DE C.V. MEXICO

